

**TECHNICAL DATASHEET**

**PT100DXXYFLZZZ**

**PT100 RTD SENSOR ACCORDING TO DIN 43760**

**SENSOR**

Sensor PT100 100Ω 0° C, alpha coefficient 3850 ppm/k  
Sensor additional features  
Precision Class B – EN60751 – DIN43760  
Nr of elements 1 sensor  
Isolation Mylar glass fiber

**TERMINAL**

Terminal AISI 310  
Terminal diameter and lenght DIN-B Cup

**HOUSING**

Nut fixing (Male-XX part of code) XX=10 or 20 --> 1/2 GAS Male XX=11 or 21 --> 3/4 GAS Male  
Nut fixing (Female-XX part of code) XX=12 or 22 --> 1/2 GAS Female XX=13 or 23 --> 3/4 GAS Female  
Conductors (3 wires-Y part of code Y=3 --> CuSn 3x0,22 isolation silicon rubber, colours red-red-white  
Conductors (4 wires)-Y part of code Y=4 --> CuSn 4x0,22 isolation silicon rubber, colours red-red-white-white  
Shield Aluminium tape and security wire

**PROBE**

Probe lenght (ZZZ part of code) XXX = lenght og the pipe in cm. See attached drawing  
Finishing (XX part of code) XX=10-11-12-13 --> PT100 Socket XX=20-21-22-23 --> 4/20 mA 2 wire loop powered  
Temperature range -60°C ÷ +150°C

**CONVERTER (if equipped)**

Power supply 5-30 V DC  
Current output protection 30 mA  
Transmission 2 wire loop powered transmitter for PT100 probes 4/20 mA  
Precision class 0,10%  
Max resolution 16 BIT  
Active range temperature -20° C - +150° C to 4/20 mA

**TESTS**

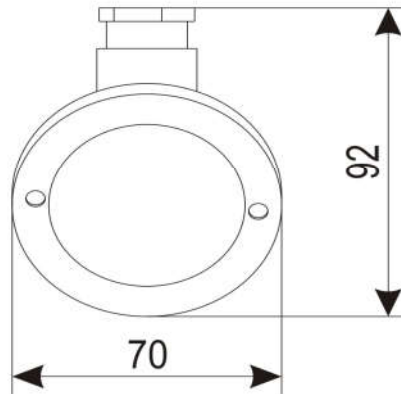
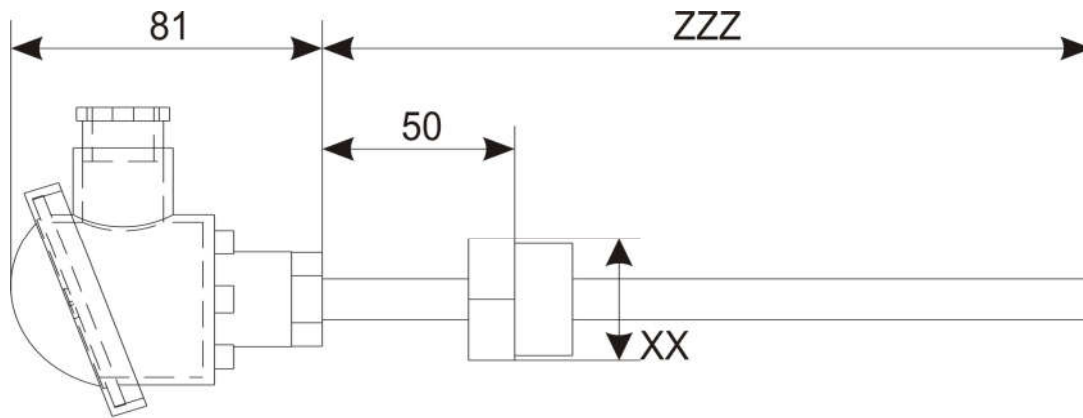
Insulating test between capsule and copper wire 2,5 KV AC for 60"  
Dimensional and visual control 100%  
Impedance at room temperature 100%  
Functional control 100%

**NOTES**

DATE	REL
2018	1

The supplied data are indicatives and not bidding for us if not confirmed by written

TECHNICAL DATASHEET



PART OF CODE		DESCRIPTION
CODE	VALUE	
XX	10	1/2 GAS MALE
XX	20	1/2 GAS MALE
XX	11	3/4 GAS MALE
XX	21	3/4 GAS MALE
XX	12	1/2 GAS FEMALE
XX	22	1/2 GAS FEMALE
XX	13	3/4 GAS FEMALE
XX	23	3/4 GAS FEMALE
ZZZ	10	100 mm
ZZZ	15	150 mm
ZZZ	20	200 mm



DATE	REL
2018	1

The supplied data are indicatives and not bidding for us if not confirmed by written